

RMSI

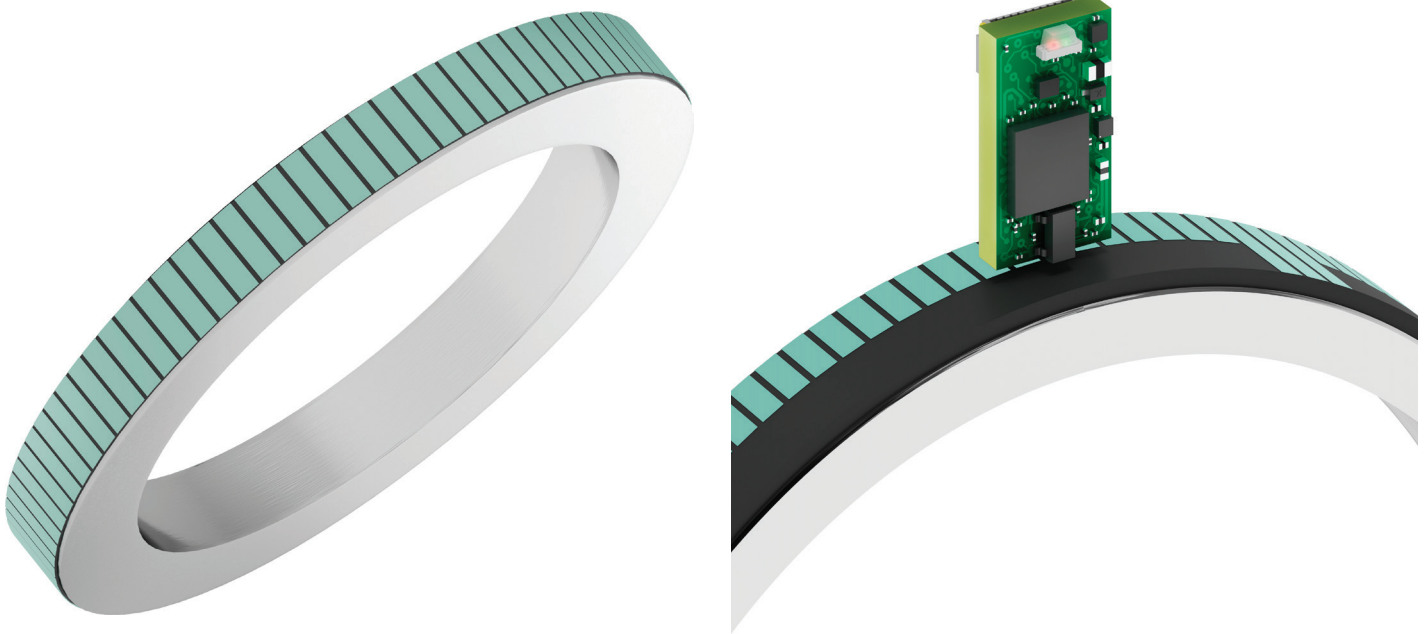
Rotary Magnetic Scale Incremental

Motion control and angle measuring have never been easier and more reliable with BOGEN's rotary magnetic scales. Different magnetic and hub materials and customizable dimensions ensure that our rotary scales suit various tasks and applications. BOGEN rotary scales can be adapted to many different requirements. Our standard program covers many applications.

Incremental
Measuring

Rotary
Applications

Counting
Controlling



Features and Benefits

- from low to very high accuracy
- one or two track magnetization
- several pole pitches
- variety of magnetic materials for many different applications
- resistant to dust, cooling lubricant emulsion, oil, etc.

Features

Magnetic Properties	elastomer-bonded ferrite/ isotropic	hard Ferrite/isotropic	vulcanized ferrite/isotropic
residual induction (Br) mT	240 - 260	200 - 220	185
coercive force (Hcb) kA/m	171 - 195	135 - 140	129
intrinsic coercive force (Hcj) kA/m	223 - 279	220 - 230	257
maximum energy product (Bhmax) MGOe	1.45 - 1.65	1.45 - 1.65	/
reversing temperature modulus % / °C	- 0.18	- 0.19	/

Physical Properties			
tensile strength N/mm ² (MPa)	> 2.5	50	/
hardness shore D	30 - 45	500 - 600	85 ± 3
density g/cm ³	3.55 - 3.7	4.8 - 4.9	4.13
temperature range °C	-40 to 100	-40 to 250	- 40 to 160

Chemical Properties			
hydraulic oil (23°C×72h)	++	++	+++
alcohol (23°C×72h)	+	+	++
weak alkali (23°C×72h)	++	++	+++
detergent (23°C×72h)	++	++	+++
aromatic solvent (23°C×72h)	-	chemical resistance depends on temperature, concentration and time of exposure to the medium	-
organic, anorganic acid (23°C×72h)	-		-
aliphatic solvent (23°C×72h)	-		-
water (60°C×72h)	+	++	+++

- not suitable

+ good

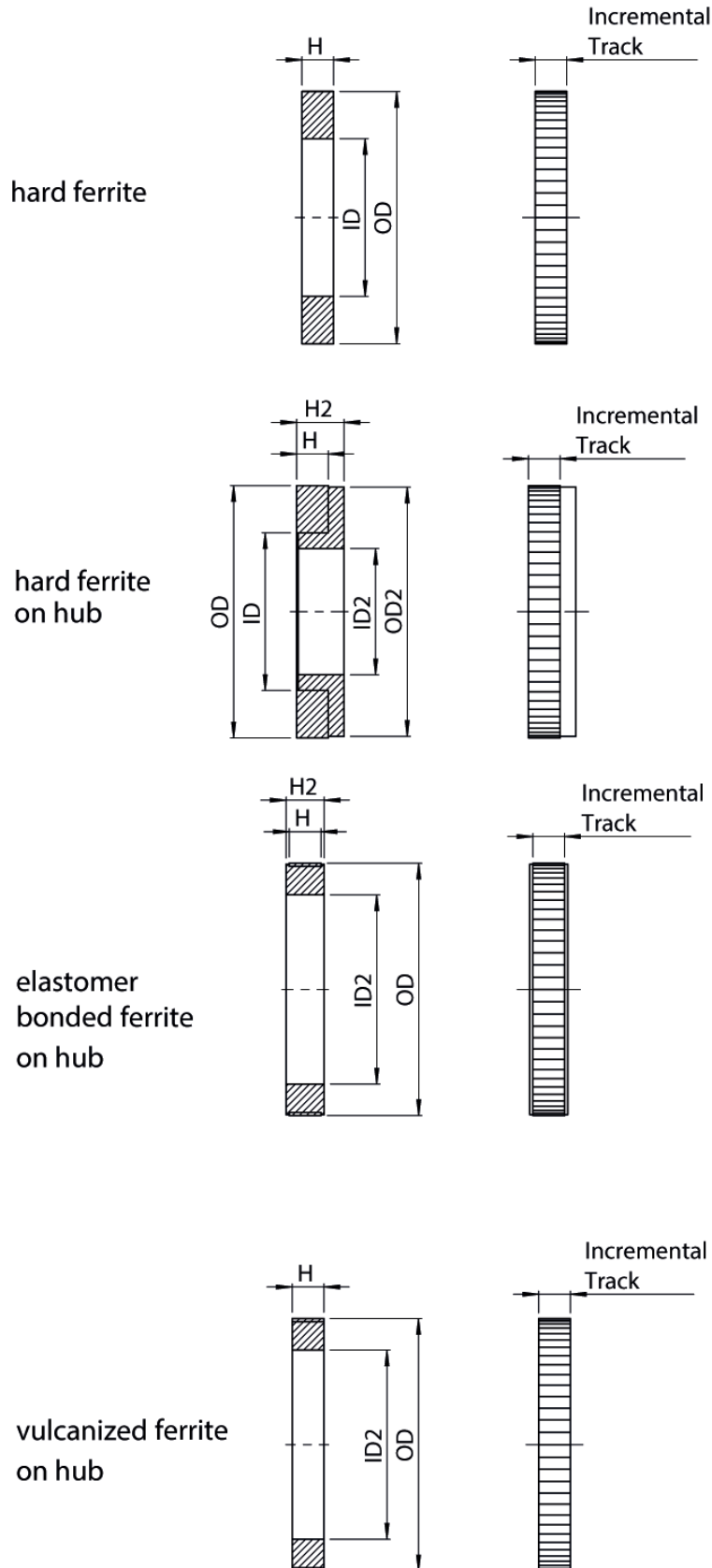
++ very good

+++ excellent

Due to mechanical characteristics of individual parts and applied manufacturing processes, the top surface of the magnetic component may show minimal surface changes. This has no negative impact on functionality.

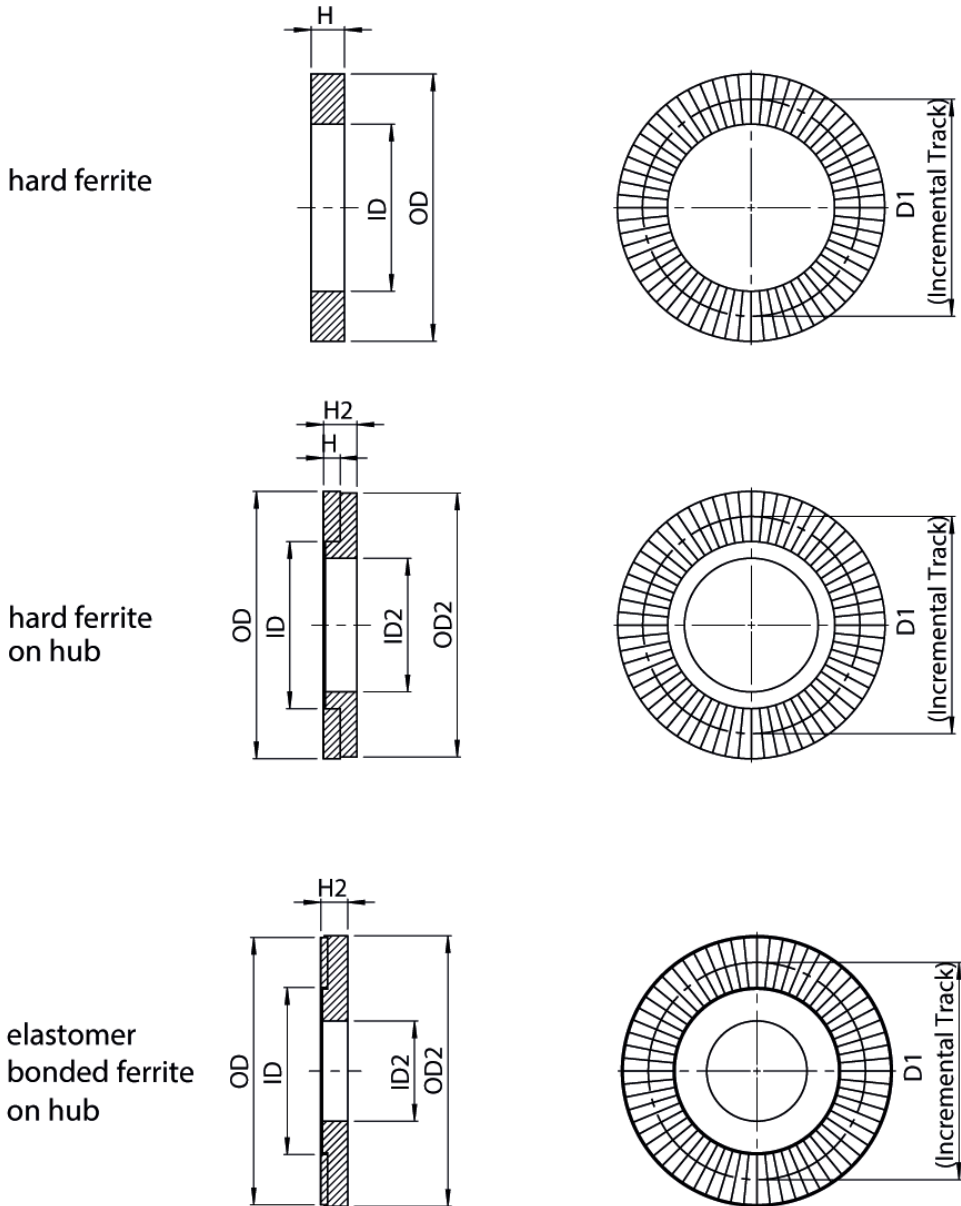
Technical Drawing

Radial



Technical Drawing

Axial



Available Rotary Magnetic Scale Incremental Dimensions

	order-no.	matchcode	numbers of poles	magnetic pole pitch [mm]	outer diameter (OD) [mm]	inner diameter (ID) [mm]	height (H) [mm]
ferrite rings (radial)	51565	RMSI19.75-64-F	64	1	19,75	14,7	4,1
	50536	RMSI19.75-32-F	32	2	19,75	14,7	4,1
	51566	RMSI19.75-26-F	26	2,5	19,75	14,7	4,1
	51560	RMSI21.3-28-F	28	2,5	21,3	14,7	4,1
	51561	RMSI21.3-16-F	16	5	21,3	14,7	4,1
	51585	RMSI24-76-F	76	1	24	5	3
	51586	RMSI24-40-F	40	2	24	5	3
	51587	RMSI24-32-F	32	2,5	24	5	3
	51588	RMSI24-16-F	16	5	24	5	3
	51578	RMSI24.3-78-F	78	1	24,3	20	4
	51579	RMSI24.3-40-F	40	2	24,3	20	4
	51108	RMSI24.3-32-F	32	2,5	24,3	20	4
	51580	RMSI24.3-16-F	16	5	24,3	20	4
	51581	RMSI24.5-80-F	80	1	24,5	17	6
	51582	RMSI24.5-40-F	40	2	24,5	17	6
	51583	RMSI24.5-32-F	32	2,5	24,5	17	6
	51584	RMSI24.5-16-F	16	5	24,5	17	6
	51589	RMSI30-96-F	96	1	30	11,5	5
	51590	RMSI30-50-F	50	2	30	11,5	5
	51591	RMSI30-40-F	40	2,5	30	11,5	5
	51592	RMSI30-20-F	20	5	30	11,5	5
	51593	RMSI30-96-F	96	1	30	11,5	2,5
	51594	RMSI30-50-F	50	2	30	11,5	2,5
	51595	RMSI30-40-F	40	2,5	30	11,5	2,5
	51596	RMSI30-20-F	20	5	30	11,5	2,5
	51559	RMSI30.9-100-F	100	1	30,9	21,3	5
	50954	RMSI30.9-50-F	50	2	30,9	21,3	5
	50357	RMSI30.9-40-F	40	2,5	30,9	21,3	5
	50182	RMSI30.9-20-F	20	5	30,9	21,3	5
	51568	RMSI31-100-F	100	1	31	24	10
	50887	RMSI31-50-F	50	2	31	24	10
	51569	RMSI31-40-F	40	2,5	31	24	10
	50466	RMSI31-20-F	20	5	31	24	10
	51562	RMSI32.21-102-F	102	1	32,21	25,5	10
	51563	RMSI32.21-22-F	22	5	32,21	25,5	10
	50365	RMSI38-120-F	120	1	38	30	6,5
	50239	RMSI38-50-F	50	2,5	38	30	6,5
	50204	RMSI38-24-F	24	5	38	30	6,5
	51567	RMSI41.2-130-F	130	1	41,2	25,05	10
	50431	RMSI41.2-64-F	64	2	41,2	25,05	10
51570	RMSI45-144-F	144	1	45	34	10	
50888	RMSI45-72-F	72	2	45	34	10	
51571	RMSI48-152-F	152	1	48	40	10	
50437	RMSI48-32-F	32	5	48	40	10	
51572	RMSI48.3-154-F	154	1	48,3	36,6	10	
51573	RMSI48.3-80-F	80	2	48,3	36,6	10	
50828	RMSI48.3-36-F	32	5	48,3	36,6	10	
51564	RMSI48.7-156-F	156	1	48,7	37,2	5	
50666	RMSI48.7-64-F	64	2,5	48,7	37,2	5	
50232	RMSI48.7-32-F	32	5	48,7	37,2	5	
51574	RMSI54.7-172-F	172	1	54,7	41,6	10	
50889	RMSI54.7-36-F	36	5	54,7	41,6	10	
51575	RMSI62.6-198-F	198	1	62,6	52,6	10	
50699	RMSI62.6-100-F	100	2	62,6	52,6	10	
51576	RMSI62.6-80-F	80	2,5	62,6	52,6	10	
51577	RMSI62.6-40-F	40	5	62,6	52,6	10	
50460	RMSI72-228-F	228	1	72	54	7	
50240	RMSI72-88-F	88	2,5	72	54	7	

	order-no.	matchcode	number of poles	magnetic pole pitch [mm]	outer diameter (OD) [mm]	inner diameter (ID) [mm]	height (H) [mm]
ferrite rings (axial)	51598	RMSI14-20A-F	20	2	14	8	1,5
	51599	RMSI14-16A-F	16	2,5	14	8	1,5
	51600	RMSI14-10A-F	10	5	14	8	1,5
	51604	RMSI19.75-20A-F	20	2,5	19,75	14,7	4,1
	51605	RMSI19.75-10A-F	10	5	19,75	14,7	4,1
	51618	RMSI24-24A-F	24	2	24	5	3
	51619	RMSI24-20A-F	20	2,5	24	5	3
	51620	RMSI24-10A-F	10	5	24	5	3
	51616	RMSI24.3-16A-F	16	5	24,3	20	4
	51617	RMSI24.5-16A-F	16	5	24,5	17	6
	51621	RMSI30-16A-F	16	5	30	11,5	5
	51622	RMSI30-28A-F	28	1	30	11,5	2,5
	51623	RMSI30-16A-F	16	1	30	11,5	2,5
	51597	RMSI30.9-18A-F	18	5	30,9	21,3	5
	51612	RMSI31-20A-F	20	5	31	24	10
	51601	RMSI32.21-20A-F	20	5	32,21	25,5	10
	51610	RMSI38-108A-F	108	1	38	30	6,5
	50614	RMSI38-54A-F	54	2	38	30	6,5
	51611	RMSI38-44A-F	44	2,5	38	30	6,5
	51613	RMSI45-50A-F	50	2,5	45	34	10
	51614	RMSI48-30A-F	30	5	48	40	10
	51602	RMSI48.7-70A-F	70	2	48,7	37,2	5
	51603	RMSI48.7-30A-F	30	5	48,7	37,2	5
	51615	RMSI54.7-32A-F	32	5	54,7	41,6	10
	51606	RMSI72-200A-F	200	1	72	54	7
	51607	RMSI72-100A-F	100	2	72	54	7
51608	RMSI72-80A-F	80	2,5	72	54	7	
51609	RMSI72-40A-F	40	5	72	54	7	
50748	RMSI72-38A-F	38	5	72	54	7	

Customized Rotary Magnetic Scales Incremental

Customized rotary magnetic scales with different dimensions and pole numbers can be produced economically. BOGEN scale production capabilities are designed for high flexibility at low cost. Please contact BOGEN to discuss your requirements.

Order Code

RMSI D - N S - M - H - G - P - I

		code	explanation *	
parameters	D	outer diameter [mm]	outer diameter of ring surface in millimeter	
	N	number of poles	even positive integer number	
	S	surface of magnetization		radial (default)
			A	axial
	M	magnetization material	F	hard ferrite (8/22)
			E	elastomer bonded ferrite
			V	vulcanized ferrite
			P	plastroferrite
	H	hub material		without hub (only for magnetization materials hard ferrite and plastroferrite)
			A	aluminum
			S	steel
	G	accuracy class		600 arc seconds (default)
			G...	(only necessary if deviates from default)
	P	protection		without protection (default)
S			stainless steel	
F			fibre	
I	index		without reference mark (default)	
		Z	north-south-north reference mark	

⁽¹⁾ standard parameters are bold

Ordering Example

RMSI50-64-F-A-G100	rotary magnetic scale incremental, outer diameter 50mm, number of poles 64, surface of magnetization radial, magnetization material hard ferrite, hub material aluminum, accuracy class 100 arc seconds
RMSI50-64A-E-S-G100-F-Z	rotary magnetic scale incremental, outer diameter 50mm, number of poles 64, surface of magnetization axial, magnetization material elastomer bonded ferrite, hub material steel, accuracy class 100 arc seconds, protection fibre, index north-south-north

BOGEN Magnetics GmbH reserves the right to make changes, without notice, in the products, including software, described or contained herein in order to improve design and/or performance. Information in this document is believed to be accurate and reliable. However, BOGEN Magnetics GmbH does not give any representations or warranties, expressed or implied, as to the accuracy or completeness of such information and shall have no liability for the consequences of use of such information. BOGEN Magnetics GmbH takes no responsibility for the content in this document if provided by an information source outside of BOGEN products. In no event shall BOGEN Magnetics GmbH be liable for any indirect, incidental, punitive, special or consequential damages (including but not limited to lost profits, lost savings, business interruption, costs related to the removal or replacement of any products or rework charges) irrespective the legal base the claims are based on, including but not limited to tort (including negligence), warranty, breach of contract, equity or any other legal theory. Notwithstanding any damages that customer might incur for any reason whatsoever, BOGEN product aggregate and cumulative liability towards customer for the products described herein shall be limited in accordance with the General Terms and Conditions of Sale of BOGEN Magnetics GmbH. Nothing in this document may be interpreted or construed as an offer to sell products that is open for acceptance or the grant, conveyance or implication of any license under any copyrights, patents or other industrial or intellectual property rights. Unless otherwise agreed upon in an individual agreement BOGEN products sold are subject to the General Terms and Conditions of Sales as published at www.bogen-magnetics.com.